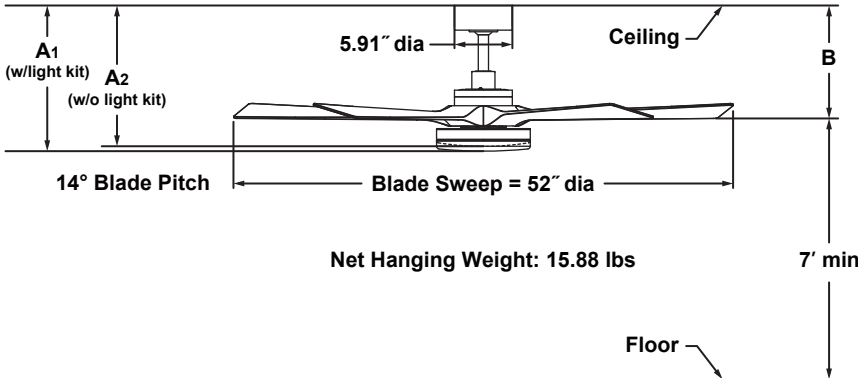


TORCHAIRE™ 52

FPD8570**

52" Ceiling Fan



INSTALLATION REQUIREMENTS:

Fan must be attached to a securely anchored electrical junction box capable of withstanding a load of at least 35 lbs.

ELECTRICAL REQUIREMENTS:

Requires a grounded electrical supply line of 120 volts AC, 60 Hz, 15 amp circuit.

MOTOR SPECS:

DC126 x 10 sensorless DC motor is designed for optimal performance with this fan.

BLADE SET:

A set of five 25" composite blades is included.

CONTROL OPTIONS:

A WiFi receiver and TR361 hand-held remote control are included. Push button remote control with 6 fan speeds, fresh air, reverse, uplight, downlight, ON/OFF dimmer light levels, CCT Select (correlated color temperature selection), fan/light timer, home away, safe exit and off button. Visit the Apple APP Store or Google Play Store to download the free fanSync WiFi APP and create your Fanimation fanSync account. Optional TW407 wall control is available — sold separately. Instructions are provided with each control.

LIGHTING OPTIONS:

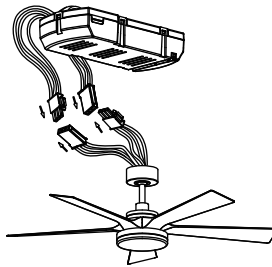
One uplight 12-watt CCT LED and downlight 30-watt CCT LED (Warm/Soft/Bright/Cool/Daylight) included.

DOWNROD OPTIONS:

Fan comes with a 1" dia. x 6" long downrod. Optional downrods are available in 12", 18", 24", 36", 48", 60" and 72" lengths. A downrod coupler is available for installations requiring a downrod longer than 72". Fan can be mounted on a sloped ceiling up to 27°. Most sloped ceiling installations require a standard 24" downrod or longer downrod. Optional sloped ceiling ball kits (SCB1-52) are available for slope angles greater than 27° and up to 42° as well — sold separately. Call technical support for more information.

LOCATION USE:

Fan is rated for dry and damp locations. This fan is for room up to 400 sq ft.



featuring KwikWire easy connection

	A1	A2	B
Fan w/6" downrod	14.80"	14.34"	11.85"
Fan w/12" downrod	20.80"	20.34"	17.85"
Fan w/18" downrod	26.80"	26.34"	23.85"
Fan w/24" downrod	32.80"	32.34"	29.85"
Fan w/36" downrod	44.80"	44.34"	41.85"
Fan w/48" downrod	56.80"	56.34"	53.85"
Fan w/60" downrod	68.80"	68.34"	65.85"
Fan w/72" downrod	80.80"	80.34"	77.85"

Available Finishes

BL	Black with Black Blades and Opal Frosted Shade / Steel Cap
BN	Brushed Nickel with Black Blades and Opal Frosted Shade / Steel Cap
BS	Brushed Satin Brass with Matte White Blades and Opal Frosted Shade / Steel Cap
DZ	Dark Bronze with KOA Blades and Opal Frosted Shade / Steel Cap
MW	Matte White with Matte White Blades and Opal Frosted Shade / Steel Cap

Airflow / Energy Efficiency Info (120V)

Fan Speed	Max RPM	CFM	CFM / Watts	Amps	Watts
High (6 th)	181	5630	181	0.42	31
Med (4 th)	130	3542	303	0.17	12
Low (1 th)	50	1557	577	0.06	3

Energy Guide FTC

Power (W _{ave})	Total Air Delivery (CFM _{ave})	Estimated Yearly Energy Cost (\$)	Ceiling Fan Efficiency (CFM/W)
21	3621	6	173

Fan Velocity (FPM)

High Speed Velocity	Average Velocity
427	280

Uplight Information (120V)

Light Bulb	Lumens Amount	Delivered Lumens	Color Temp	CRI	Shade/Glass type
12W CCT LED	1000	838/866/931/968/970	Warm/Soft/Bright/Cool/Daylight	90%	Opal Frosted

Downlight Information (120V)

Light Bulb	Lumens Amount	Delivered Lumens	Color Temp	CRI	Shade/Glass type
30W CCT LED	2700	1736/1736/1845/1908/1922	Warm/Soft/Bright/Cool/Daylight	90%	Opal Frosted