

PRODUCT FEATURES

- For the modern appeal, two glass spurs extend in opposite directions and are illuminated by a compact diffused LED
- Generously sized at 29" long, the Spur wall sconce is available in three modern finishes, aged brass, matte black and satin nickel
- Complete the look with the entire Spur family, including the chandeliers, ceiling mount and pendant
- Mounts vertically or horizontally to accommodate any space
- Lamping options are compatible with most dimmers
- Protected by a 5-year warranty. please visit the "About Us" Page on techlighting.com for more for warranty details



LAMPING

Includes 120 volt 16.8 watts, 1560.8 total delivered lumens 2700K LED module. Dimmable with most LED compatible ELV and TRIAC dimmers. 277V compatible with 0-10V dimmers. Mounts up or down.

Frost/Aged Brass



ORDERING INFORMATION

700WSSPR FINISH	LAMP
R AGED BRASS	-LED927 INTEGRATED LED 90 CRI 2700K 120V (T24)
B MATTE BLACK	-LED927-277 INTEGRATED LED 90 CRI 2700K 277V
S SATIN NICKEL	

700WSSPR _____

JOB NAME _____

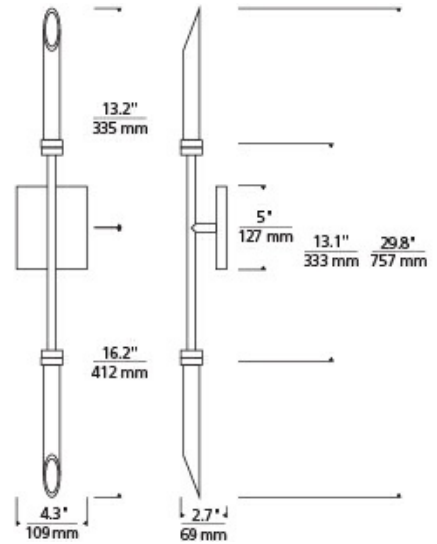
NOTES _____



SPUR WALL

SPECIFICATIONS

HARDWARE MATERIAL	Metal
SHADE MATERIAL	Glass
NET WEIGHT	2 lbs
HEIGHT	29.8in
WIDTH	2.7in
LENGTH	4.3in
MIN. EXTENSION FROM WALL	2.7in
UP LIGHT / DOWN LIGHT / BOTH?	
WET LISTED	
DAMP LISTED	Yes
DRY LISTED	
UP / DOWN	
HORIZONTAL / VERTICAL	
WALL / CEILING MOUNT	
GENERAL LISTING	ETL Listed
ADA COMPLIANT	
INCLUDES	



LAMPING SPECIFICATIONS

	LED LAMP	INTEGRATED LED	NON LED	NO LAMP
DELIVERED LUMENS		1560.8		
WATTS		16.8		
MAX WATTAGE PER BULB		14.4W		
INPUT VOLTAGE		120V 277V		
DIMMING TYPE*		ELV, TRIAC 0-10V		
CCT		2700K		
CRI		90 CRI		
LED LIFETIME				
L70		>50000		
AVERAGE BULB HOURS				
FIELD SERVICEABLE LED				
LAMP BASE		Integrated LED		
LAMP SHAPE		Integrated LED		
LAMP INCLUDED?		Y		
WARRANTY**		5 Years		

* Dimming information available at www.techlighting.com/Downloads#dimming

** Visit techlighting.com for specific warranty limitations and details.

T20 / T24 INFORMATION

	Integrated LED	Replacement LED Lamp	No Lamp *
This product can be used to comply with California Building Energy Efficiency Standards 2016 Title 24 Part 6.	Yes		
This product can be used to comply with California Appliance Efficiency Standards 2016 Title 20 and may be shipped to and sold in California.	N/A		

* If a light fixture or component does not include a lamp or light source, it is the responsibility of the customer to select a lamp that meets the T24 and T20 requirements.

