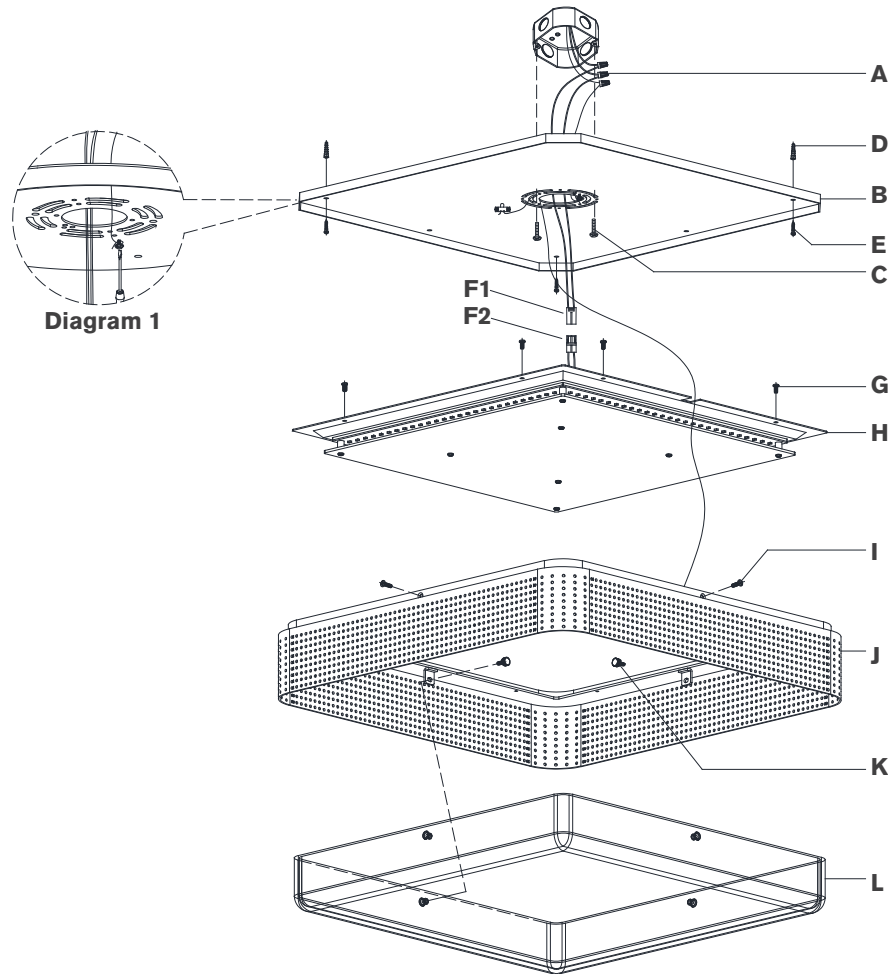


ASSEMBLY INSTRUCTIONS



Precision 20" Square Flush Mount

Item # KW4085

NOTICE:

This light fixture should be installed in accordance with all applicable, local installation codes, and by a person familiar with the construction and operation of it, as well as the hazards involved. Inspect item and contents carefully. If any damage or defect is found, do not install. Retain all packaging material until installation is complete and approved.

TOOLS REQUIRED (NOT INCLUDED):

Phillips Screwdriver	Slotted Screwdriver	Drill
Pencil	Hammer	

PERSONS REQUIRED: Two

1. Carefully remove all parts from the box. Place on a clean, soft surface.
2. Remove metal shade (**J**) from mounting plate (**B**) by removing screws (**I**).
3. Remove light source (**H**) from metal shade (**J**) by removing screws (**G**).
4. Using mounting plate (**B**) as a guide, line up with the junction box and mark anchor positions.
5. Using a drill bit slightly smaller than the anchor, drill holes in the marked positions. Install anchors (**D**) into the holes using hammer.
6. Install mounting plate (**B**) to the junction box and secure with mounting screws (**C**), then secure wood screws (**E**) to anchors (**D**).
7. Remove quick connector (**F1**) from light source.
8. Wrap supply ground wire (usually green or bare copper) around the green grounding screw (see diagram 1).
NOTE: It is imperative that the fixture is grounded.
9. Connect fixture neutral wire (white) to the supply neutral wire (usually white) using wire nut (**A**).
10. Connect fixture hot wire (black) to the supply hot wire (usually black) using wire nut (**A**).
- CAUTION:** Do not reverse the hot and neutral connections.
11. Make sure all wire connections are tight, then carefully tuck into the junction box.

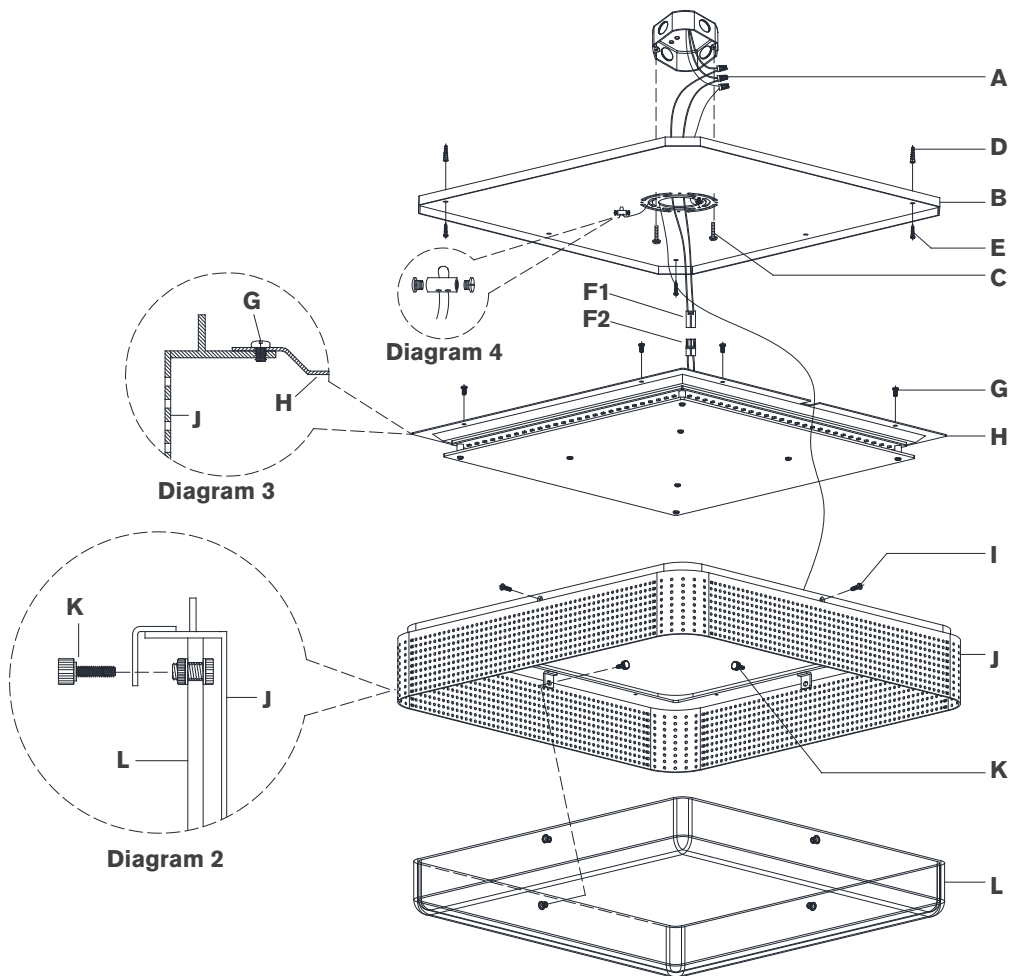
ASSEMBLY INSTRUCTIONS

Precision 20" Square Flush Mount

Item # KW4085

NOTICE:

This light fixture should be installed in accordance with all applicable, local installation codes, and by a person familiar with the construction and operation of it, as well as the hazards involved. Inspect item and contents carefully. If any damage or defect is found, do not install. Retain all packaging material until installation is complete and approved.



12. Install glass shade (**L**) to metal shade (**J**) and secure with thumbscrews (**K**). See diagram 2.
NOTE: Do not over-tighten otherwise shade could become damaged.
13. Pass safety cable through slot of light source (**H**), then install to metal shade (**J**) and secure with screws (**G**). See diagram 3.
NOTE: It is recommended to have a helper assist in supporting the fixture for steps 14-16.
14. Run support cable through hole on bracket (**B**). Loosen cable lock and install to end of support cable. Insert other end of cable through the cable lock and tighten ends with a screwdriver to secure. (see diagram 4)
15. Connect quick connectors (**F1 & F2**) together.
16. Install metal shade (**J**) to mounting plate (**B**) and secure with screws (**N**).

Care Instructions: Clean only with a soft dry cloth or feather duster. Do Not use abrasive or chemical agents.