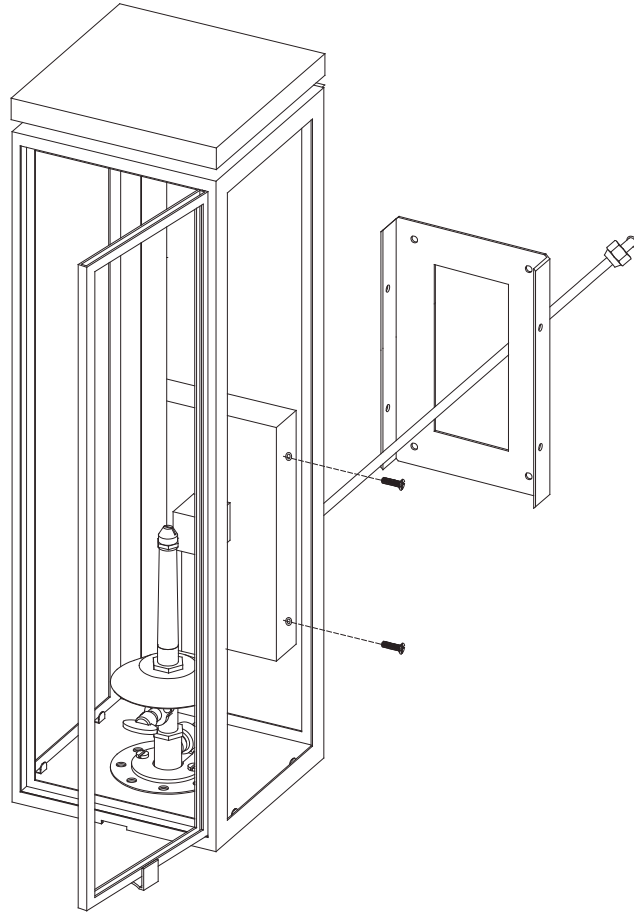


ASSEMBLY INSTRUCTIONS



Fresno Grande Bracketed Gas Wall Lantern

Item # CHO 2562

FOR YOUR SAFETY:

⚠ DANGER

FIRE OR EXPLOSION HAZARD

If you smell gas:

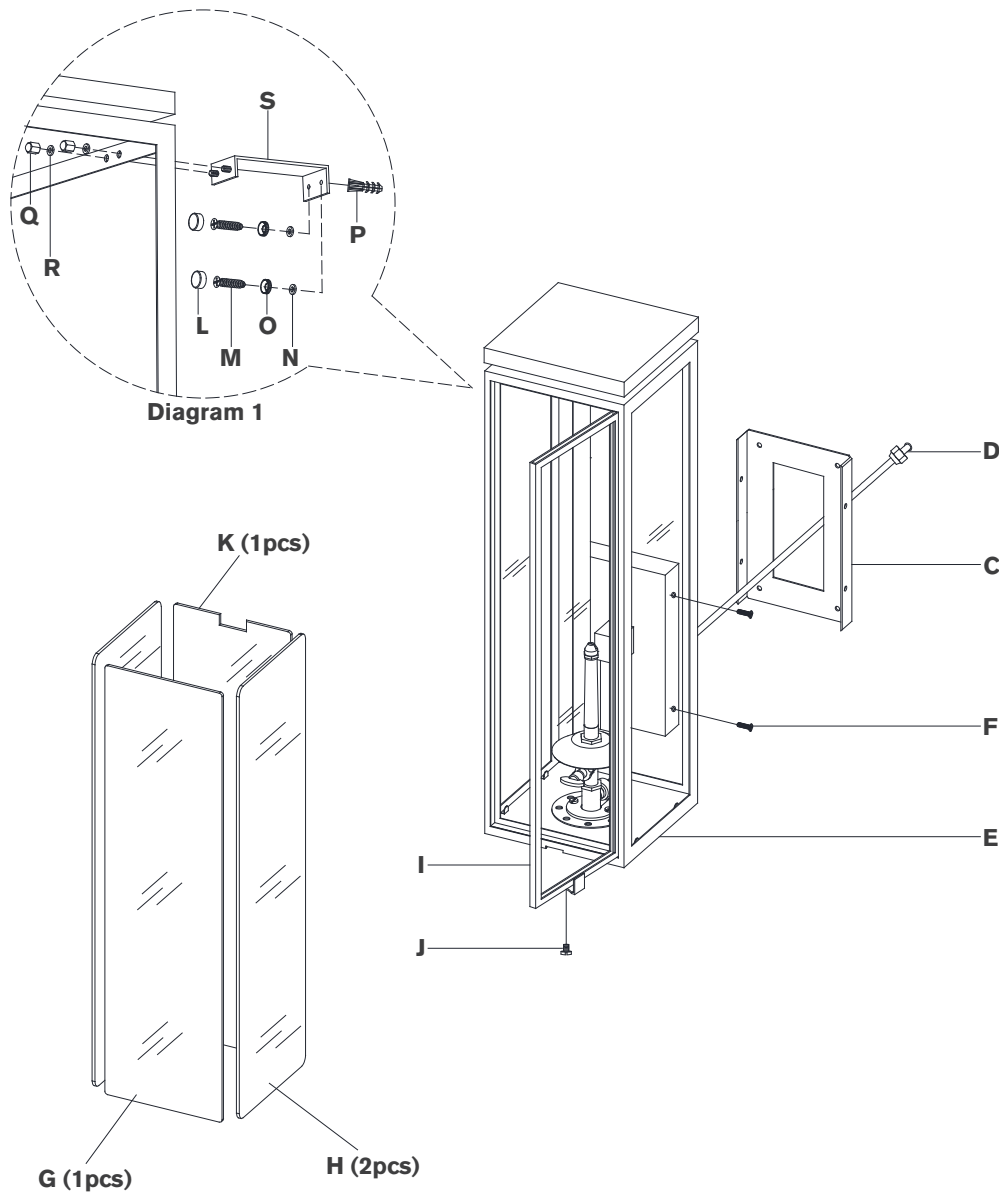
- Shut off gas to the appliance.
- Extinguish any open flame.
- If odor continues, leave the area immediately.
- After leaving the area, call your gas supplier or fire department.
- Do not store or use gasoline or other flammable vapors and liquids in the vicinity of this or any other appliance.
- Fixtures must be installed at least 3" from combustible walls and 12" from combustible ceilings.
- Installation must conform with local codes or, in the absence of local codes, the National Fuel Gas Code, ANSI Z223.1.

Failure to follow these instructions could result in fire or explosion, which could cause property damage, personal injury, or death.

Save these instructions for future reference.

Please contact support@visualcomfort.com for additional information on obtaining replacement parts.

ASSEMBLY INSTRUCTIONS



Fresno Grande Bracketed Gas Wall Lantern

Item # CHO 2562

NOTICE:

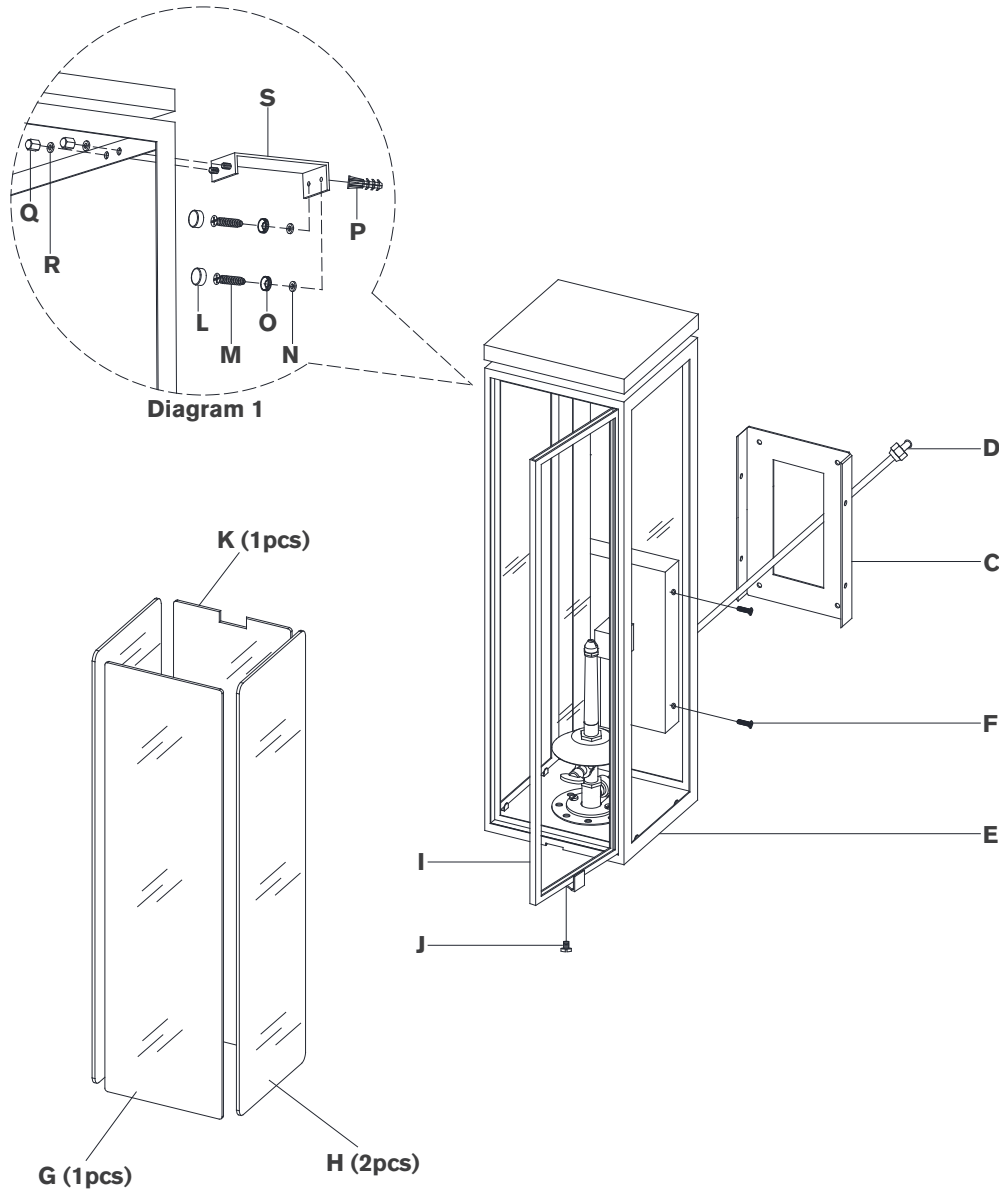
This light fixture should be installed in accordance with all applicable, local installation codes, and by a person familiar with the construction and operation of it, as well as the hazards involved. Inspect item and contents carefully. If any damage or defect is found, do not install. Retain all packaging material until installation is complete and approved.

TOOLS REQUIRED (NOT INCLUDED):

| | | |
|----------------------|---------------------|-------|
| Phillips Screwdriver | Slotted Screwdriver | Drill |
| Pencil | Hammer | |

- Carefully remove all parts from the box. Place on a clean, soft surface.
Note: Please wear the provided gloves when installing this light fixture to avoid damaging the finish of fixture body.
- Remove mounting plate (C) from fixture (E) by removing screws (F).
- Using mounting plate (C) as a guide, mark mounting hardware positions and follow mounting hardware instructions to secure mounting plate to wall surface.
Note: Due to various mounting surface types, mounting hardware is not included. Please select proper hardware based on surface application.
- Using bracket (S) as a guide, mark anchor position.
Note: Carefully measure distance between mounting points for mounting plates (C) and bracket (S) before moving to the next step.
- Using a drill bit slightly smaller than the anchor, drill holes in the marked positions. Install anchors (P) into the holes using hammer.
- Install bracket (S) to anchors (P) and secure with washers (N), metal rings (O) and screws (M). Thread caps (L) to screws (M). See diagram 1.
- Open fixture door (I) by removing screw (J), then install glass parts (K & H) to fixture (E) and secure by bending metal tabs.
- Install glass part (G) to door (I) and secure by bending metal tabs, then close the door.

ASSEMBLY INSTRUCTIONS



Fresno Grande Bracketed Gas Wall Lantern

Item # CHO 2562

NOTICE:

This light fixture should be installed in accordance with all applicable, local installation codes, and by a person familiar with the construction and operation of it, as well as the hazards involved. Inspect item and contents carefully. If any damage or defect is found, do not install. Retain all packaging material until installation is complete and approved.

9. Connect gas tubing (**D**) from lantern to gas source using proper connection method.
10. Install fixture (**E**) to mounting plate (**C**) and bracket (**S**) and secure with screws (**F**), then thread washers (**R**) and threaded caps (**Q**) to bracket (**S**).
11. Double check gas connections and test for leaks before attempting to light lantern.

ADDITIONAL HARDWARE INCLUDED: For your convenience, 3/8" gas adapters and additional 1/4" flare nut fitting included inside box. Discard if not required.

ASSEMBLY INSTRUCTIONS

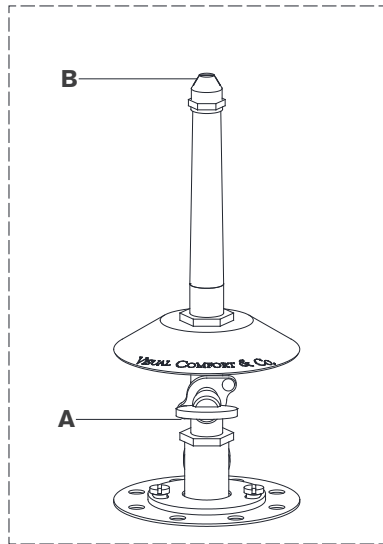


Diagram 2

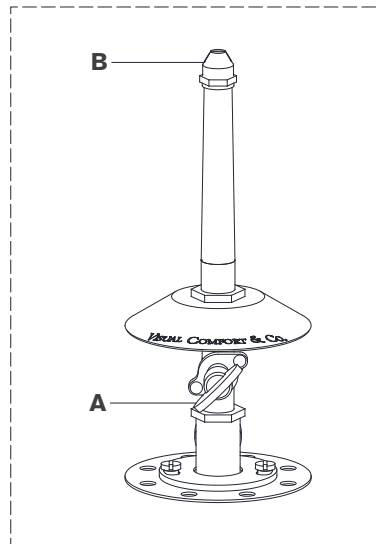


Diagram 3

LIGHTING YOUR LANTERN

NOTICE:

This light fixture should be installed in accordance with all applicable, local installation codes, and by a person familiar with the construction and operation of it, as well as the hazards involved. Inspect item and contents carefully. If any damage or defect is found, do not install. Retain all packaging material until installation is complete and approved.

LIGHTING YOUR LANTERN

1. Turn valve **(A)** to off position before turning on gas supply to lantern. See diagram 2.
2. Open door and allow to completely air out.
3. With lighter/flame above the burner tip **(B)**, press in and turn valve **(A)** counter-clockwise approximately 30 degrees until flame appears. See diagram 3.
4. Adjust flame to desired height.
Note: Do not operate fixture with gas valve fully open or flame height greater than 3".

MAINTENANCE: CHECK BEFORE EVERY USE

1. Keep appliance area clear and free from combustible materials, gasoline and other flammable vapors and liquids.
2. Check burner area to ensure flow of gas or combustion is never obstructed.
3. Always ensure proper ventilation before use.

CARE INSTRUCTION

1. Allow for item to cool completely before cleaning.
2. Use feather duster or soft cloth to clean surface.
3. Use damp towel to clean glass.
4. No abrasives or chemical agents.