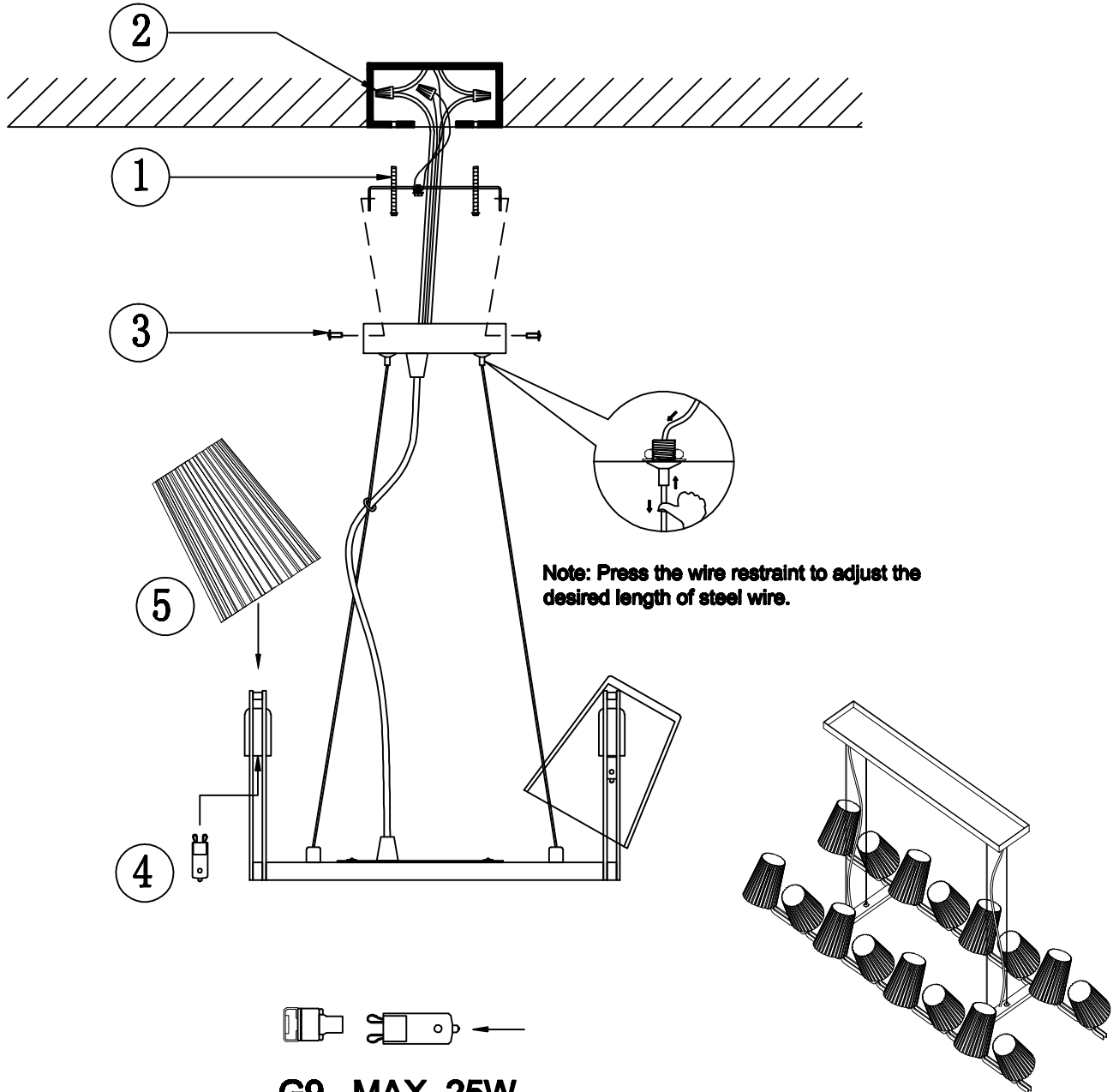


ZEEV™ LIGHTING

INSTALLATION INSTRUCTION FOR CD10185/16/CH

WARNING! SHUT POWER OFF AT FUSE OR CIRCUIT BREAKER.



Warning:

1. Turn off the main power at the circuit breaker before installing the lamp in order to prevent possible shock.
2. Please wear gloves when installing the lamp.
3. Wipe clean using a soft cloth.
4. The lamp is made of glass, install carefully.

CAUTION:

Use  this wrench when nut is loose.